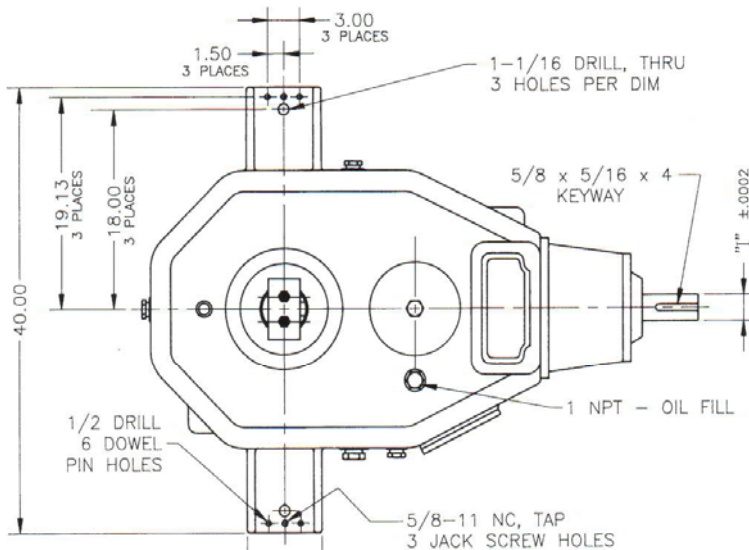


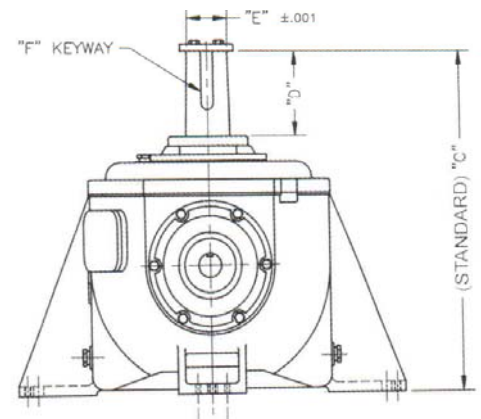
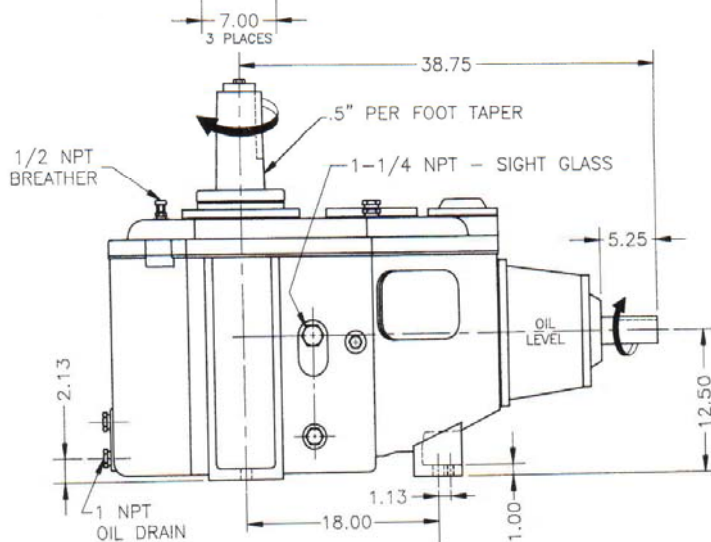
# Amarillo Series Fan Drive

## Model A38

Amarillo Gear Company LLC reserves the right to make design modifications to our gear drives that may change the given dimensions. The dimensions shown in this document may not exactly reflect the dimensions of gear drives currently being offered. Request a *certified dimension print* for construction use.



"C"	"D"	"E"	"F" Keyway	"I"
33.94	7.88	6.227	1 1/2 x 3/4 x 7	2.625



### SERVICE HORSEPOWER RATINGS (2.0 SERVICE FACTOR)

Input (RPM)	Nominal Ratio	
	1750	11.44
	250	250

OIL TYPE: \_\_\_\_\_ ISO 220 / AGMA 5 or 5S / No EP additives  
 OIL CAPACITY: \_\_\_\_\_ 21 gallons (79 L)  
 WEIGHT, DOMESTIC SHIPPING: \_\_\_\_\_ 2300 lbs.  
 WEIGHT, EXPORT SHIPPING w/EXPORT BOX: \_\_\_\_\_ 2480 lbs.  
 EXPORT BOX DIMENSIONS (L x W x H): \_\_\_\_\_ 58 x 46 x 40 (inches)

Amarillo Gear Company can provide a matching output shaft when necessary. A shaft drawing or schematic information will be necessary. See catalog for further details.